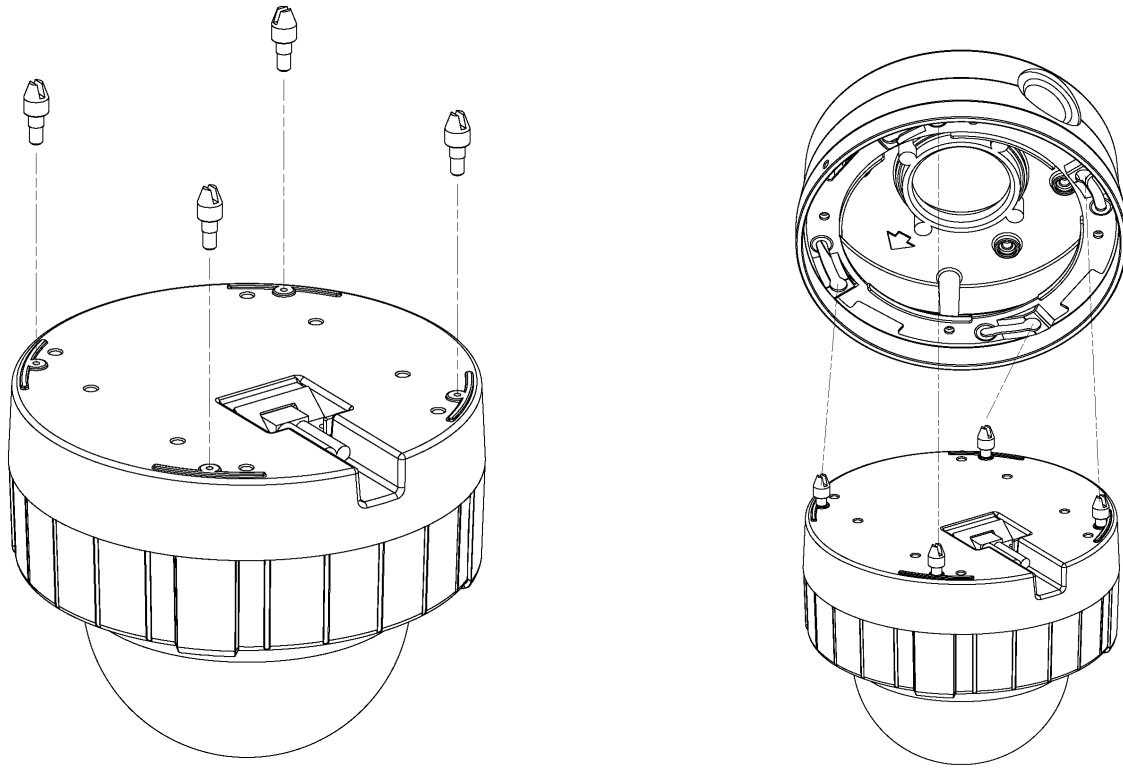
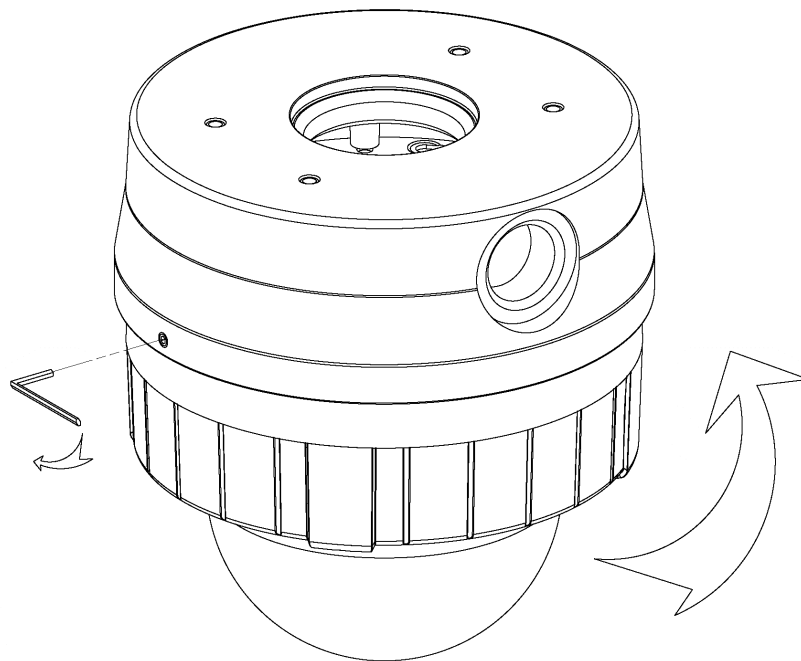


## ZNA-CA1 PENDANT/CONDUIT ADAPTER INSTRUCTIONS



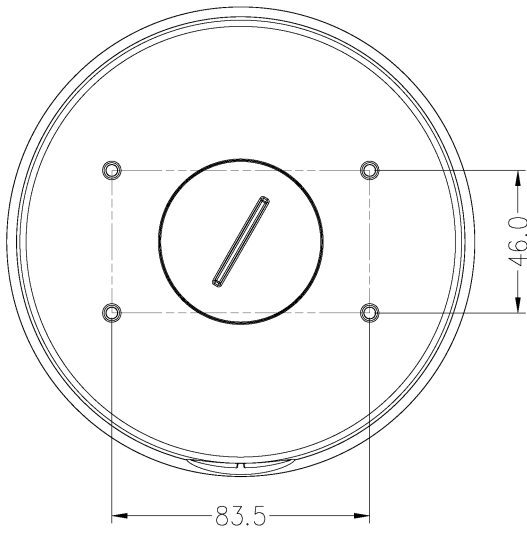
Install the 4 mounting screws into the dome base as shown in the above diagram.

Insert the dome with mounting screws into the pendant/conduit adapter.

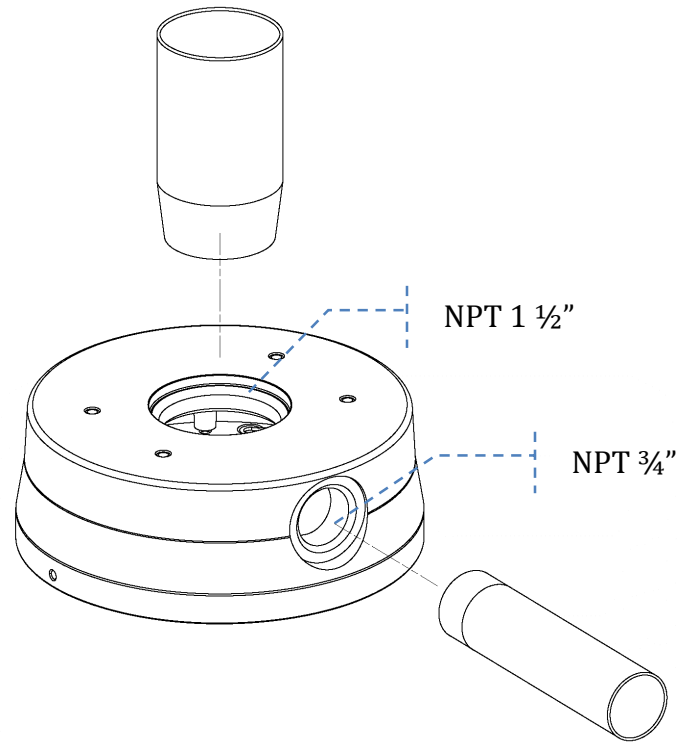


After installing the dome into the pendant/conduit adapter, rotate clockwise to lock the dome into place. Then tighten the set screw to complete installation.

### Adapter Mounting Holes



### Conduit Holes



### Pendant/Conduit Dimensions

